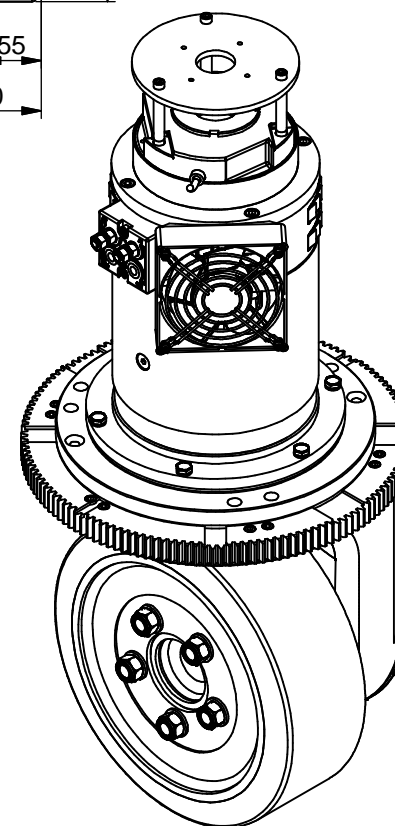
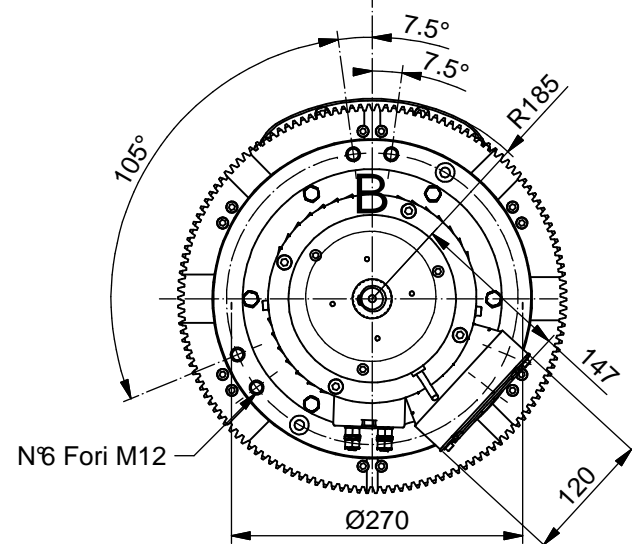
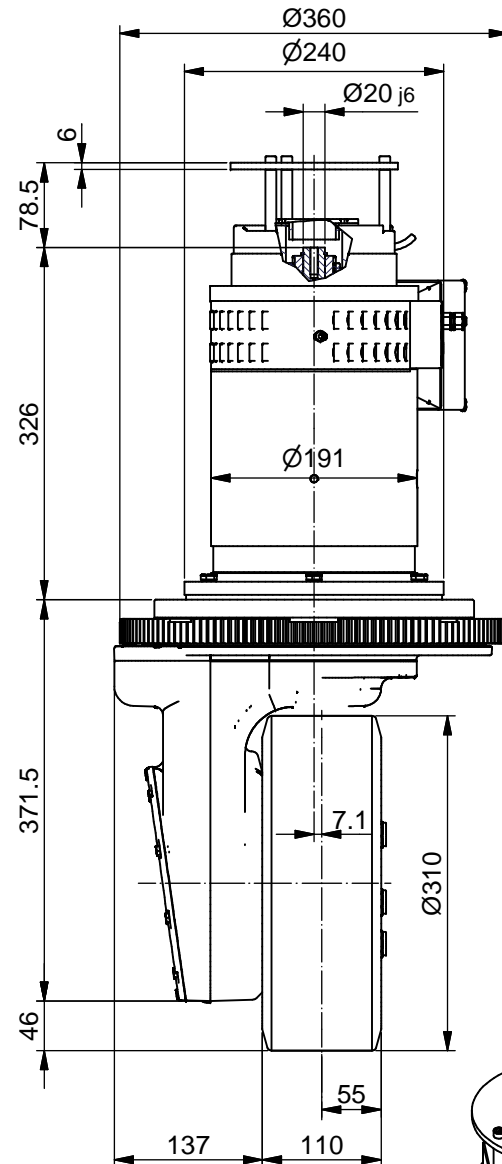
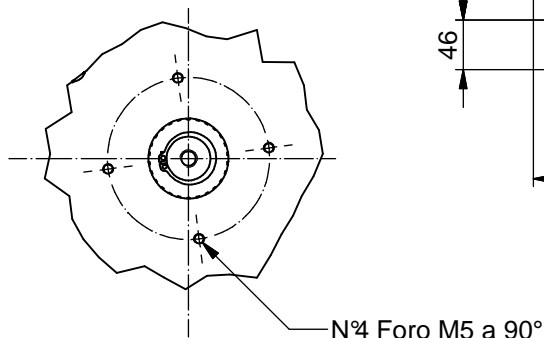


Dett. B



Traction motor data			
1	Type : Motor Permanent Magnet		
2	Power (S2 - 60 min)	W	3000
3	Motor voltage	V	48
4			
5	Speed	Rpm	1800
6			
7	Current (3000 W)	A	78
8	Torque (3000 W)	Nm	16
9			
10			
11	Enclosure	IP	23
12	Brake torque	Nm	32
Gear data			
13	Max input motor power	W	5000
14	Gear ratio	i	1:25.3
15	Max accel. and braking torque	Nm	1400
16			
17	Wheel torque	Nm	323
18			
19			
20			
21	Lubrication		Oil
22	Max load on vulkollan wheel	Kg	2000
23	Max load on poliurethan wheel	Kg	
24	Max load on solid rubber wheel	Kg	
Steering motor data			
25	Type : Motor Dc		
26	Power (S2 - 60 min)	W	
27	Motor voltage	V	
28			
29	Speed	Rpm	
30			
31	Current (W)	A	
32	Torque (W)	Nm	
33	Enclosure	IP	
34			
35	Steering gear ratio	i	
36	Efficiency of steering gear	η	

Available on request	
A	Motors: Permanent Magnet, Series Wound, Sepex, AC
B	Voltages: 12V, 24V, 36V, 48V, 72V, 80V
C	Gear Ratio: 1:20, 1:25.3
D	Encoders application
E	Forced ventilation

Data :	29/06/2009	Scala :	1:7	A3
Date :		Scale :		
Dis :	C.M.			