

**CLF6-RS****Sirocco Fan*****Single suction double-supported belt drive type*****Product Description**

- High efficiency type that demonstrates great performance with less power.
- The optimum selection can be made frequently by increasing the rotation speed.
- Easy installation with compact design as much as possible.
- Sufficient performance is demonstrated at low speeds, and at the same time noise generation is suppressed.

**Use**

For general of transmission and exhaust air

Air-conditioning ventilation

For air supply and exhaust

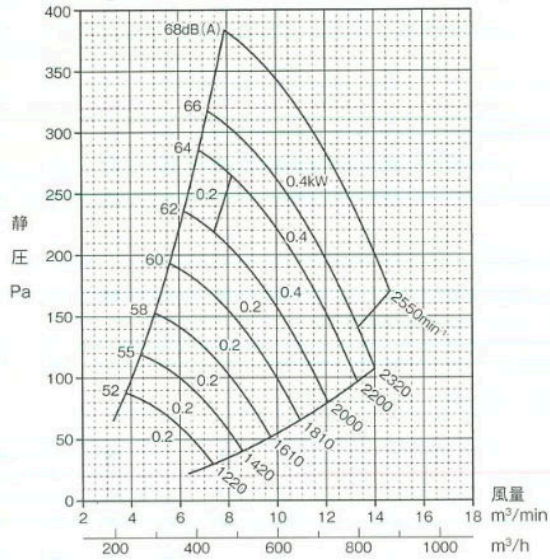
For air conditioning

**Handling Fluid:** Air

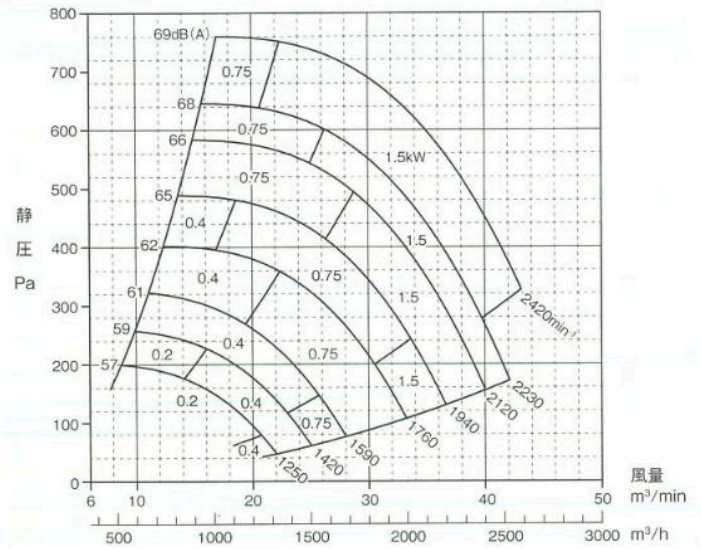
**Fluid Temperature:** 0 ~ 40°C

## Selection Chart

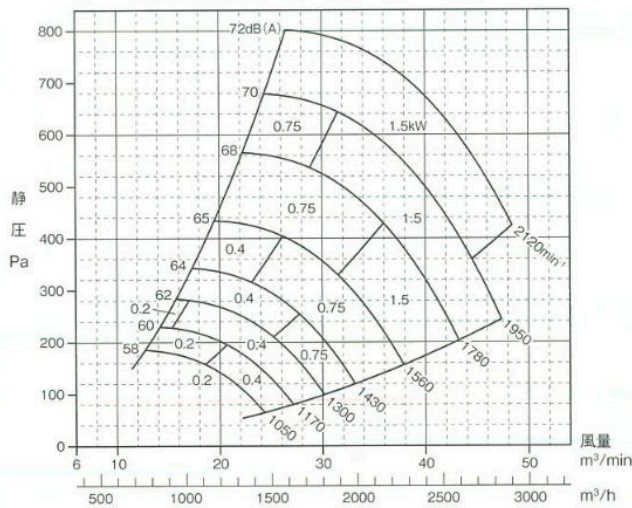
### CLF6-No.1



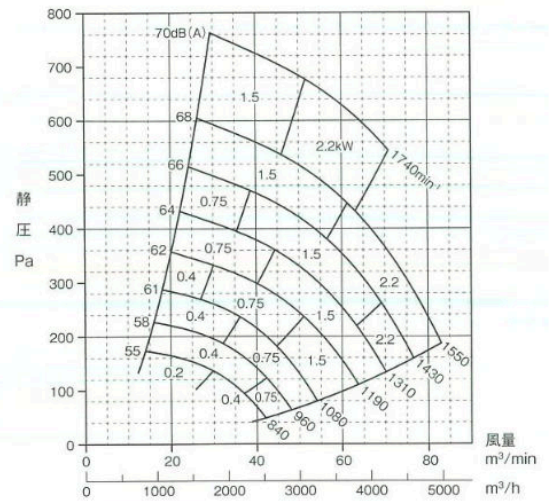
### CLF6-No.1¼



### CLF6-No.1½

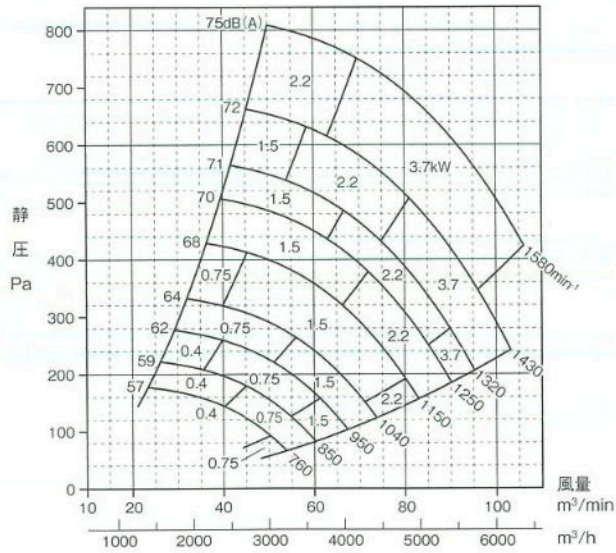


### CLF6-No.1¾

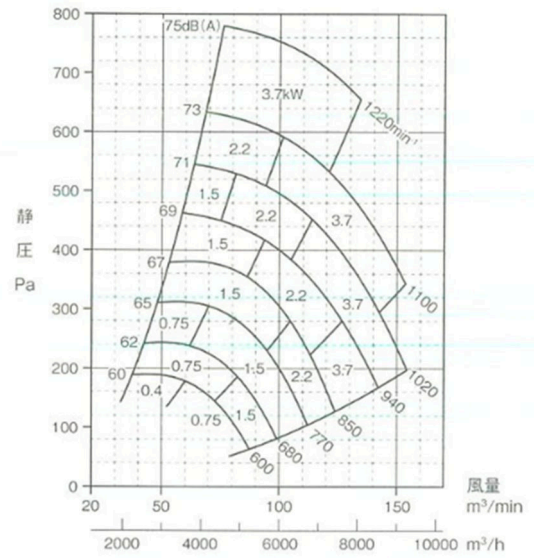


## Selection Chart

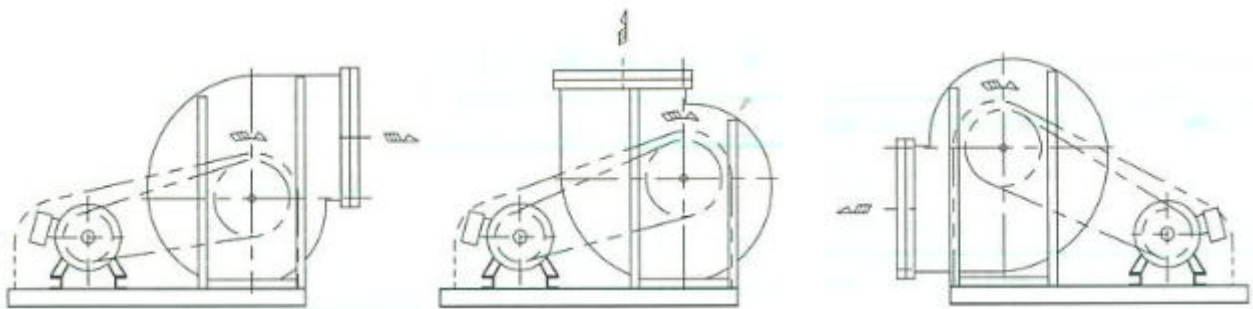
### CLF6-No.2



### CLF6-No.2½



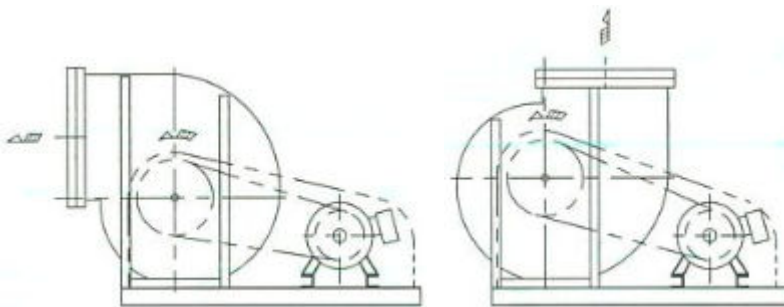
## Discharge Direction (View From Pulley side)



TH-R

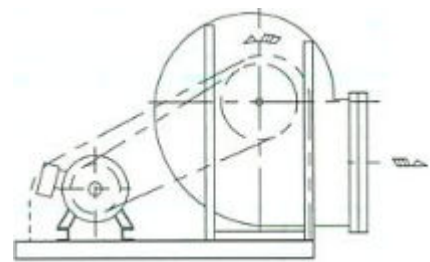
TV-R

BH-R



TH-L

TV-L



BH-L