

TERAL

50Hz

CLF6-OB



Sirocco Fan

Single suction cantilever belt drive type

Product Description

- High efficiency type that demonstrates great performance with less power.
- The optimum selection can be made frequently by increasing the rotation speed.
- Easy installation with compact design as much as possible.
- Sufficient performance is demonstrated at low speeds, and at the same time noise generation is suppressed.

Use

For general of transmission and exhaust air

For ventilation

For air supply and exhaust

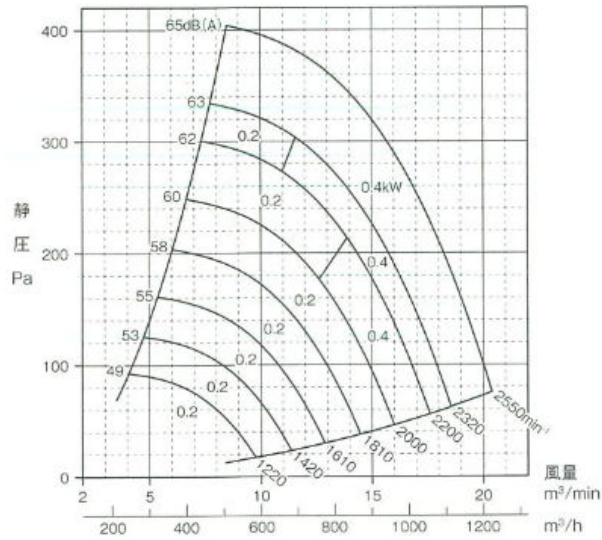
For air conditioning

Handling Fluid: Air

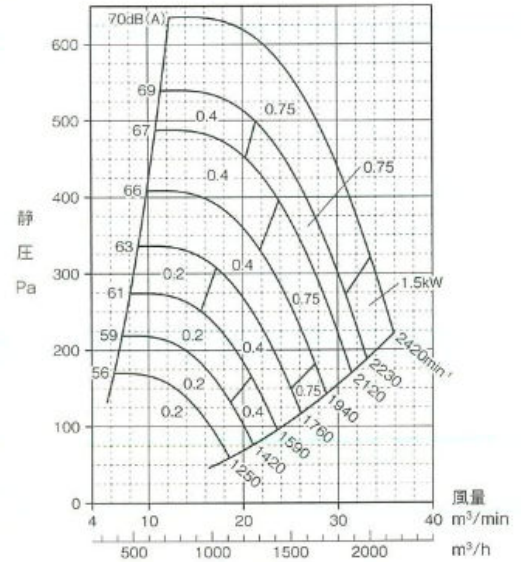
Fluid Temperature: 0 ~ 90°C

Selection Chart

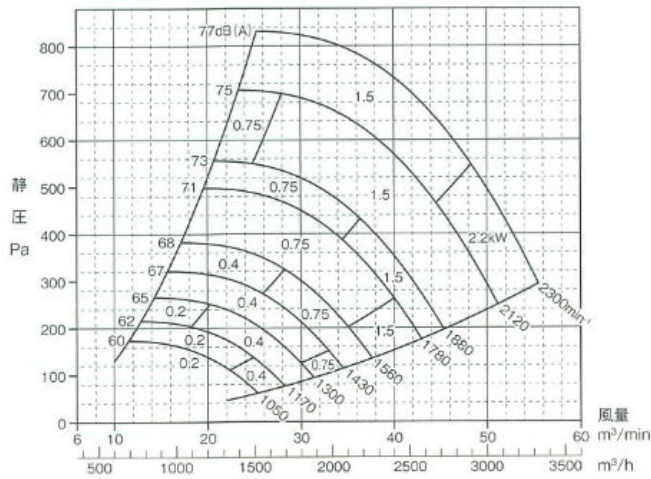
CLF6-No.1



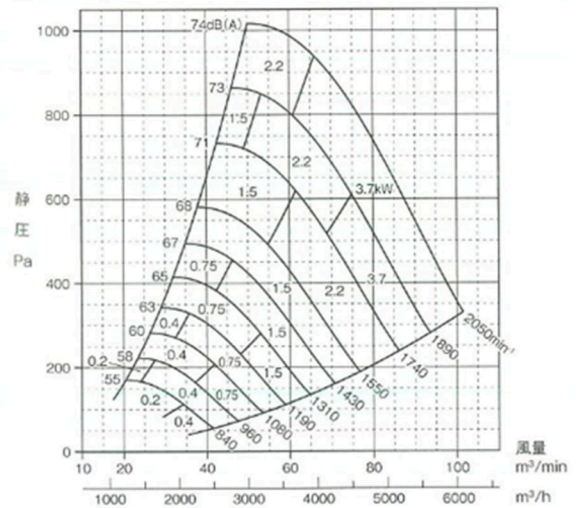
CLF6-No.1¼



CLF6-No.1½

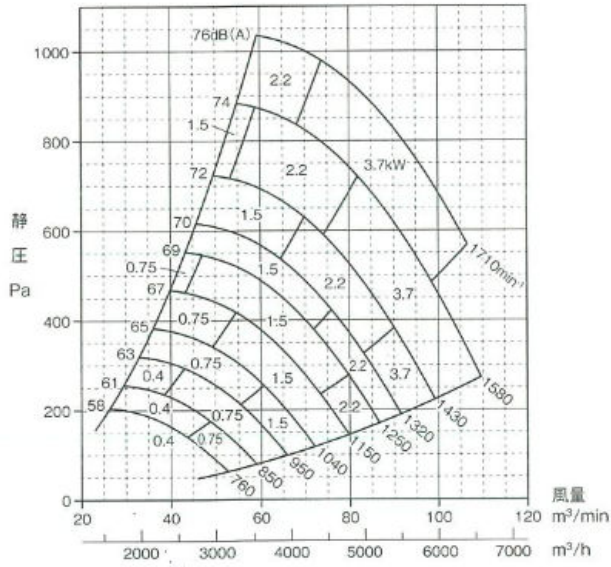


CLF6-No.1¾

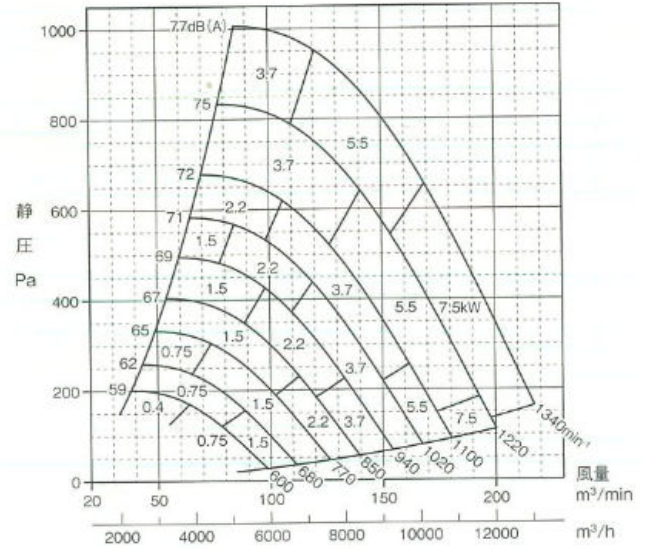


Selection Chart

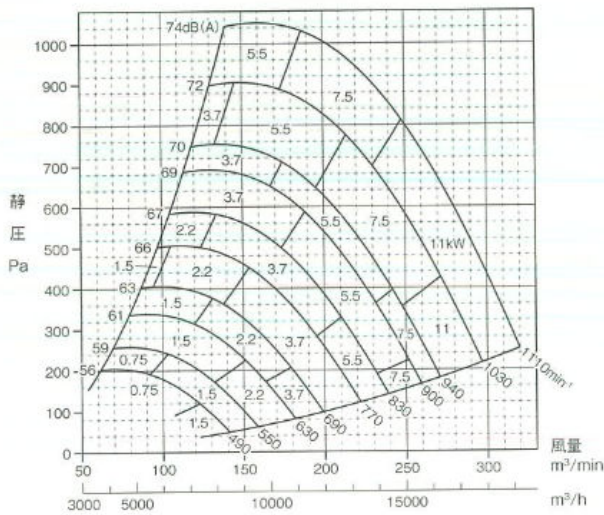
CLF6-No.2



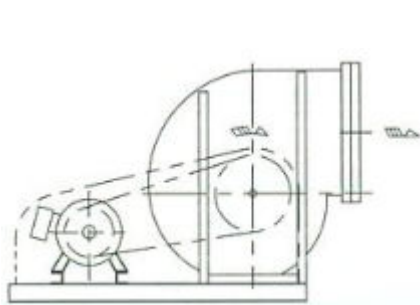
CLF6-No.2½



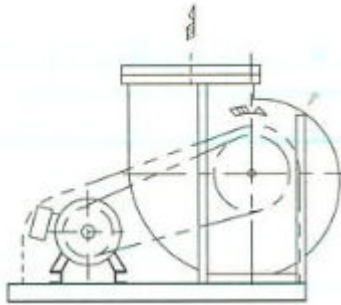
CLF6-No.3



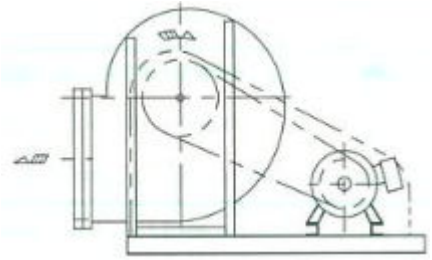
Discharge Direction (View from Pulley side)



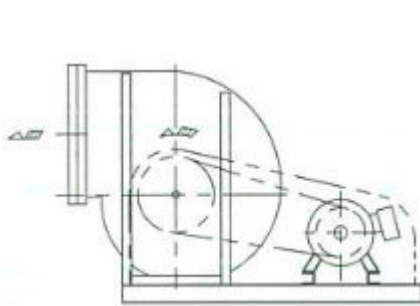
TH-R



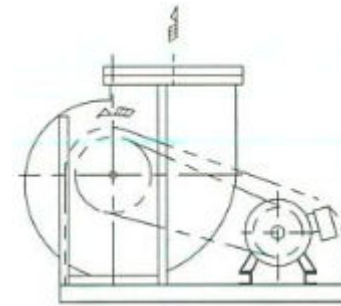
TV-R



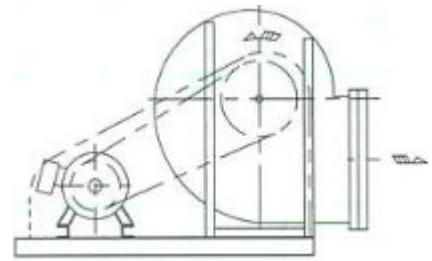
BH-R



TH-L



TV-L



BH-L