



## Steel Enclosure with Waterproof and Dustproof

Enclosure with Cutwater and Waterproof/Dustproof Packing

**NITTO KOGYO GROUP**

Made in Japan

120 mm | 160 mm | 200 mm | 250 mm

[View RA from Nitto](#)

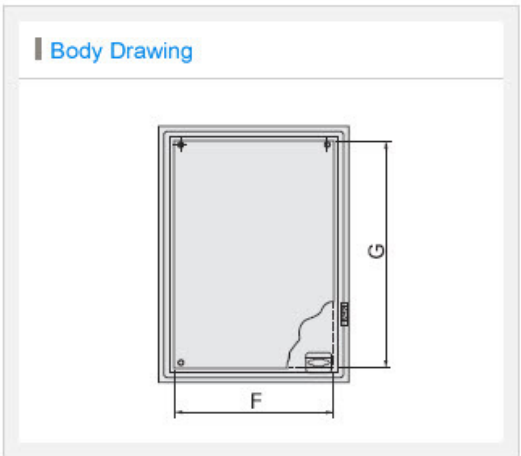
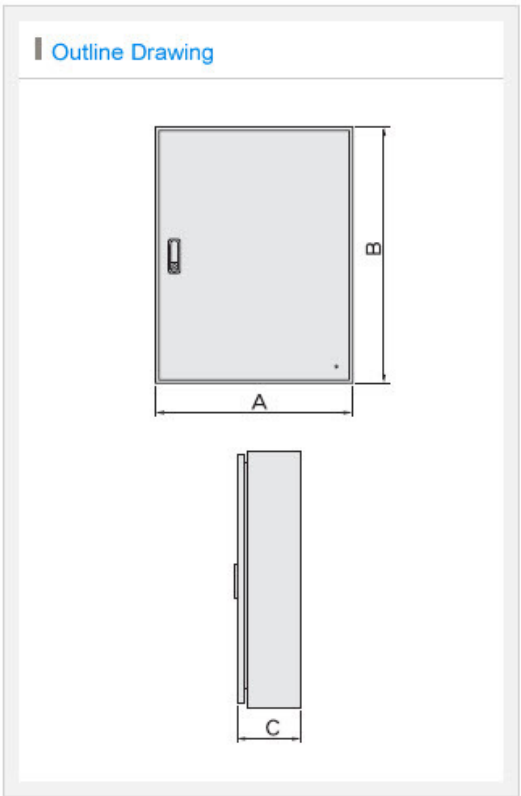
Pain Color	Paint Color Beige Painted (Munsell 5Y7/1 Japan Paint Manufacturer Association D25-70B)
Material	Steel
Mounting Plate	Steel Mounting Plate (2.3mm)
Applications / IP Grade	Indoor / Outdoor IP54 (Category 2)
Thickness	Door: 1.6mm / Body: 1.6mm
Handle	Flat Waterproof Handle (H-85) (Key No. N200)
Door Type	Single Swing Door

DEPTH 120 mm [TOP](#)

Product Model	Outside Dimensions			Steel Mounting Plate Dimensions		Available Depth (X)	Product Weight (Kg.)
	Width (A)	Height (B)	Depth (C)	Width (F)	Height (G)		
RA12-33	300	300	120	220	220	102	5.7
RA12-34	300	400	120	220	320	102	7.7
RA12-43	400	300	120	320	220	102	7.7

DEPTH 160 mm [TOP](#)

Product Model	Outside Dimensions			Steel Mounting Plate Dimensions		Available Depth (X)	Product Weight (Kg.)
	Width (A)	Height (B)	Depth (C)	Width (F)	Height (G)		
RA16-33	300	300	160	220	220	142	6.2
RA16-34	300	400	160	220	320	142	8.4
RA16-43	400	300	160	320	220	142	8.4
RA16-44	400	400	160	320	320	142	10.6
RA16-45	400	500	160	320	420	142	12.7



## DEPTH 200 mm

[TOP](#)

Product Model	Outside Dimensions			Steel Mounting Plate Dimensions		Available Depth (X)	Product Weight (Kg.)
	Width (A)	Height (B)	Depth (C)	Width (F)	Height (G)		
RA20-33	300	300	200	220	220	182	6.7
RA20-34	300	400	200	220	320	182	9.2
RA20-44	400	400	200	320	320	182	11.4
RA20-45	400	500	200	320	420	182	13.6
RA20-46	400	600	200	320	520	182	15.9
RA20-54	500	400	200	420	320	182	13.6
RA20-55	500	500	200	420	420	182	16.3
RA20-56	500	600	200	420	520	182	19
RA20-57	500	700	200	420	620	182	21.7
RA20-65	600	500	200	520	420	182	19
RA20-66	600	600	200	520	520	182	22.1
RA20-68	600	800	200	520	720	182	28.3

## DEPTH 250 mm

[TOP](#)

Product Model	Outside Dimensions			Steel Mounting Plate Dimensions		Available Depth (X)	Product Weight (Kg.)
	Width (A)	Height (B)	Depth (C)	Width (F)	Height (G)		
RA25-45	400	500	250	320	420	232	14.8
RA25-55	500	500	250	420	420	232	17.6
RA25-58	500	800	250	420	720	232	26
RA25-65	600	500	250	520	420	232	20.4
RA25-66	600	600	250	520	520	232	23.6
RA25-78-1	700	800	250	620	720	232	34.2