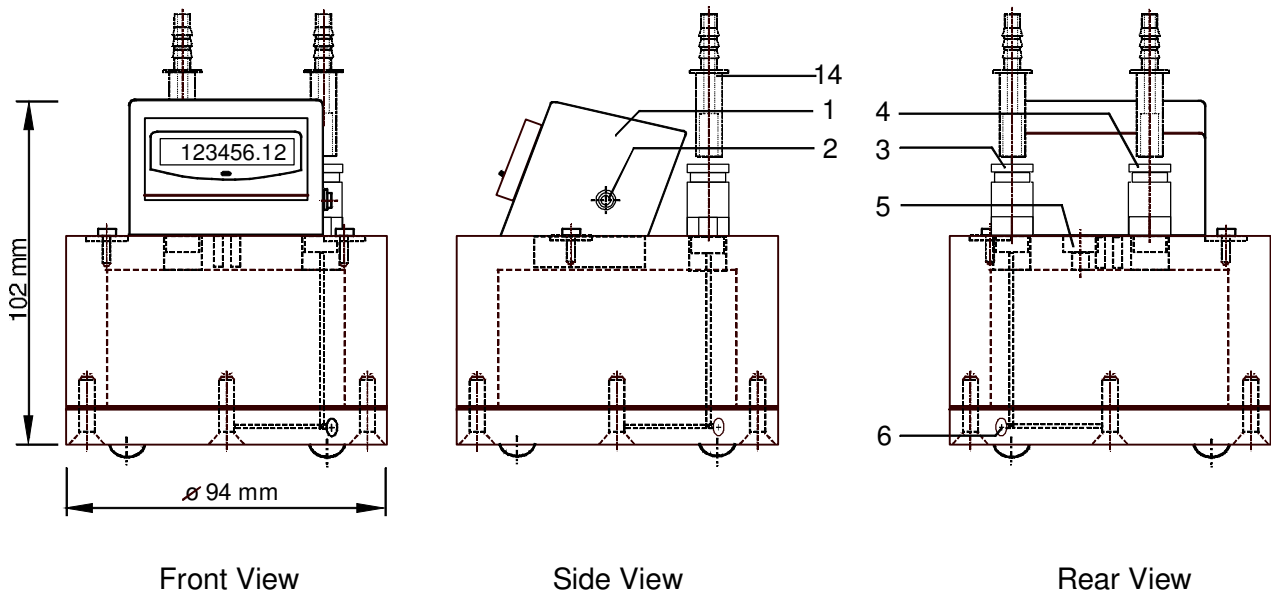




1. Data Sheet



- | | | |
|--|----------------|----------------------------------|
| (1) Counter unit with LCD display | (3) Gas Inlet | (5) Air-vent screw for filling |
| (2) Signal Output (reed contact) | (4) Gas Outlet | (6) Inspection screw gas channel |
| (14) Tube adaptors for flexible connecting tubes | | |

Performance Specifications

Minimum flow rate Q_{\min}	1	ml/h	Maximum gas inlet pressure	100	mbar
Maximum flow rate Q_{\max}	1	ltr/h	Minimum gas inlet pressure	5	mbar
Measuring accuracy, approx. ¹⁾	± 3	%	Gas inlet pressure at measurement start, approx. ⁵⁾	9	mbar
Volume of measur. chamber, appr. ²⁾	3.2	ml			
Min. measuring volume (resolution) ³⁾	3	ml	Gas temperature ⁶⁾	+10 ..+40	°C
Resolution of indication ⁴⁾	0.01	ml	Connection gas in/outlet	Plug-in connector	
Packing liquid quantity, approx.	120	ml	Diameter connecting tube	$7_i / 11_o$	mm

¹⁾ Because of the physical measurement principle, the measurement error is dependent on the flow rate. The data acquisition software "Rigamo" (accessory) provides an algorithm, which automatically recalculates the actual measurement data to the real values at the respective actual flow rate on the basis of the calibration curve.

²⁾ = Nominal value; exact value will be determined by individual calibration

³⁾ = Volume of measuring chamber

⁴⁾ Because of calibration factor with 2 decimals

⁵⁾ Higher gas inlet pressure until gas inlet channel and micro capillary in the base plate are clear of packing liquid

⁶⁾ For complete MGC unit applies: With temperatures > room temperature (e.g. if placed in heating furnace) a foam formation of the packing liquid was monitored in particular cases.

Materials

Casing	Plexiglas (PMMA)
Measurement cell	PVDF (Polyvinylide fluoride)
Plug-in connectors	Brass, nickel-plated
Tube adaptors	PBT (Polybutylenterephthalat)



MILLIGASCOUNTER®
Type MGC-1
Data Sheet 2 of 2

05.04
V 3.0
Rev. 07/2009

Standard Equipment

Electronic counter / LCD display	1 cleaning rod for micro capillary per
Display: 6 digits [ml] + 2 decimals	each 1 to 5 MGC's
Pulse Generator V6.0 as signal output (reed contact, floating output)	Funnel for filling of liquid
Twin-chamber measurement cell	200 ml packing liquid
2 tube adaptors for flexible connecting tubes	1.5 m gas connection tubing (PVC)

Accessories

Data acquisition software "Rigamo" for Windows®	Packing liquid 100 / 500 / 1,000 ml
Gas connection tubing (PVC)	