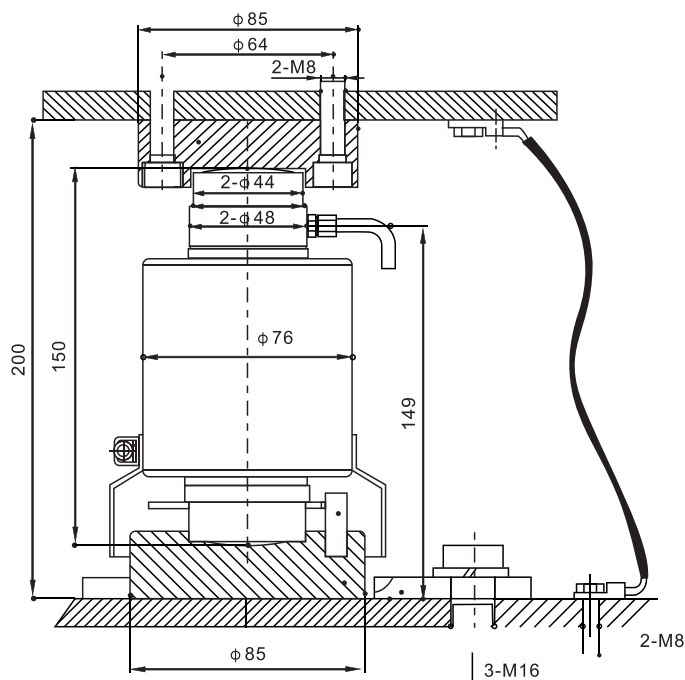


## ZSF-A/-ASS/ZSFY-A/-ASS Loadcell

## ZSF-A/-ASS/ZSFY-A/-ASS



Truck scale, railway scale, axle-load scale, floor scale

### TECHNICAL PARAMETER

OAP version 4Wires:Exc+(Blue);Exc-(Black);Sig+(White);Sig-(Red)

Rated capacities(Emax)	10,15,20,25,30,40,50t	Temperature range, compensated	-10°C~+40°C
Sensitivity	2.0±0.002mV/V	Temperature range, operating	-30~+70°C
Total error	C2~C5	Maximum safe overload	150%F.S
Creep error (30min)		Ultimate overload	250%F.S
Zero balance	±1%F.S	Excitation, recommended	10~12V DC
TC ZERO	±0.02%F.S/10°C	Excitation, maximum	15V DC
TC SPAN	±0.02%F.S/10°C	Protection class	IP68
Input resistance	400±20Ω (ZSF),700±20Ω (ZSFY)	Construction	Alloy Steel Stainless Steel
Output resistance	352±3Ω ; 352±5Ω (L≥15m)(ZSF),706±7Ω (ZSFY)	Cable	Length:8m(10t),10m(15t),12m(20~25t),14m(30t),16m(40~50t)
Insulation resistance	≥5000MΩ		Diameter: φ 5mm

Keli CEE

ul. Żółkiewskiego 3A, 4 piętro  
63-400 Ostrow Wielkopolski

tel./fax. +48 62 592 42 78  
e-mail: info@keli-cee.pl

www.keli-cee.pl

## ZSF-A/ZSFY-A Weighing module

**ZSF-A/ZSFY-A**

