

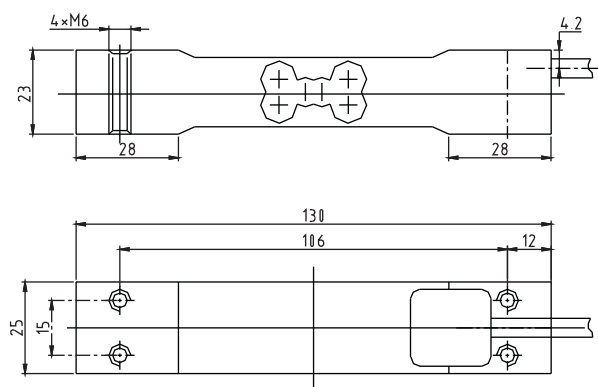


AMI Load cell

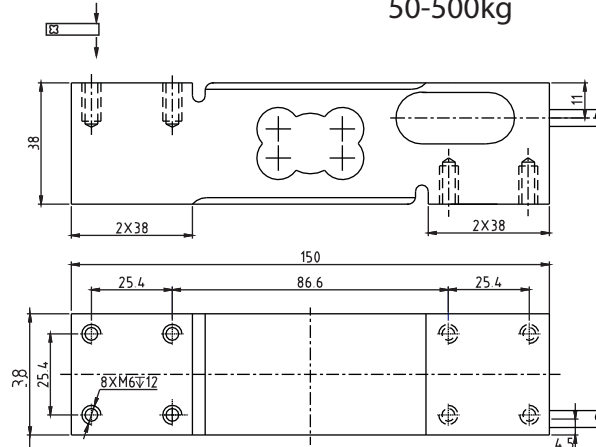
AMI



5-40kg



50-500kg



All kinds of platform scales,

TECHNICAL PARAMETER | OAP version 4Wires:Exc+(Blue);Exc-(Black);Sig+(White);Sig-(Red)

Rated capacities(Emax)	5 , 6, 8, 10 , 15, 20, 30 , 35, 40kg	Temperature range, compensated	-10°C~+40°C
Sensitivity	2.0±0.2mV/V	Temperature range, operating	-20°C~+50°C
Accuracy class	OIML C3(approving)	Maximum safe overload	150%Emax
Creep error (30min)	±166ppm	Ultimate overload	300%Emax
Zero balance	±3%Emax	Excitation, recommended	10V DC
TC ZERO	±17.5ppm/°C	Excitation, maximum	15V DC
TC SPAN	+20°C~+40°C, ±17.5ppm/°C -10°C~+20°C, ±11.67ppm/°C	Protection class	IP65
Input resistance	404±15Ω	Construction	Aluminium
Output resistance	350±3Ω	Cable	Length: 0.5 m Diameter: φ 5mm
Insulation resistance	≥2000 MΩ (50V DC)	Installation torque, recommended	10N·m
Max platform size	300×300mm		

Rated capacities(Emax)	50, 60, 100, 150, 200, 250, 300, 500kg	Temperature range, compensated	-10°C~+40°C
Sensitivity	2.0±0.2mV/V	Temperature range, operating	-20°C~+50°C
Accuracy class	OIML C3(approving)	Maximum safe overload	150%Emax
Creep error (30min)	±166ppm	Ultimate overload	300%Emax
Zero balance	±3%Emax	Excitation, recommended	10V DC
TC ZERO	±17.5ppm/°C	Excitation, maximum	15V DC
TC SPAN	+20°C~+40°C, ±17.5ppm/°C -10°C~+20°C, ±11.67ppm/°C	Protection class	IP65
Input resistance	404±15Ω	Construction	Aluminium
Output resistance	350±3Ω	Cable	Length: 1.8m Diameter: φ 5mm
Insulation resistance	≥2000 MΩ (50V DC)	Installation torque, recommended	10N·m
Max platform size	400×400mm		

Keli CEE

ul. Żółkiewskiego 3A, 4 piętro
63-400 Ostrow Wielkopolski

tel./fax. +48 62 592 42 78
e-mail: info@keli-cee.pl

www.keli-cee.pl