

外转子轴流风机 Axial fans



风机型号说明 Illustration of fan motor model

YWF 4 E - 350 S - P 102 / 34 - ★
① ②③ ④ ⑤ ⑥ ⑦ ⑧ ⑨

- ① 交流感应异步外转子风扇电动机
AC Induction asynchronous external rotor fan motor
- ② 电机极数
Motor poles
- ③ E-单相电容运转, D-三相异步运转
E-Single phase capacitor operation, D-Three phase asynchronous operation
- ④ 风叶直径
The diameter of the fan blade
- ⑤ 风向: S-吸风, B-吹风
Air direction: S-Sucking, B-Blowing
- ⑥ 此处空白表示标准型风机, "P" 表示通过ErP能效标准
The blank here means the standard fan motors, "P" means it passes ErP
- ⑦ 转子直径
The diameter of the rotor
- ⑧ 铁芯叠厚
The thickness of laminated core
- ⑨ 风机特征:
G-网罩, B-方框, T-圆筒, R-圆框, E-IP54, J-冷风机专用
Characteristics of the fan motor:
G-Grid, B-Square Frame, T-Cylinder, R-Round Frame, E-Insulation class IP54,
J-Special for air cooler

● 能效数据说明 (符合ErP指令)

测量类别: A
能效类别: 静压
功率范围 (kW): $0.125 \leq P \leq 10$
能效指标计算: $\eta = 2.74 \times \ln(P) - 6.33 + 36$

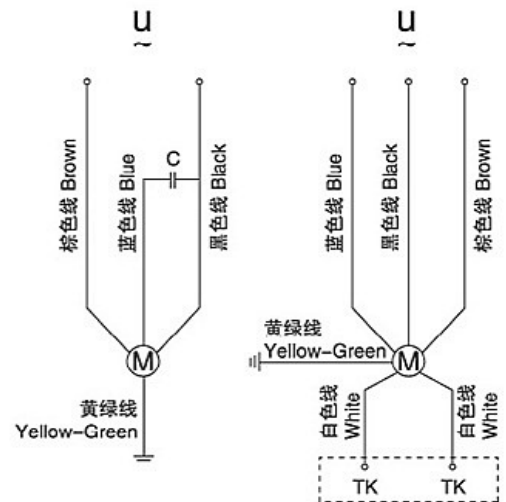
● Energy efficiency data according to ErP directive

Measurement category: A
Efficiency category: Static
Power range (Pin kW): $0.125 \leq P \leq 10$
Target energy efficiency: $\eta = 2.74 \times \ln(P) - 6.33 + 36$

接线图 Wiring diagram

单相 Single phase

三相 Three phase



* all model could be customized on voltage or any other requirements to fit your need
* [http:// www.jingdafan.com](http://www.jingdafan.com)

Ø 800

JING DA FAN

外转子轴流风机 Axial fans

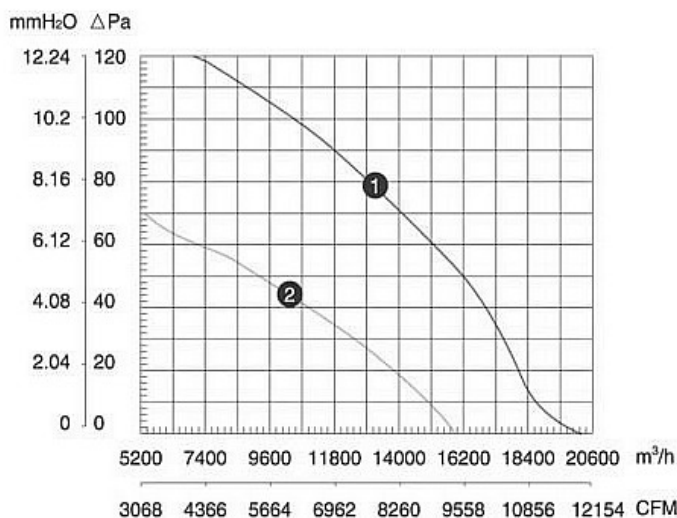


使用说明:

工作方式: S1
绝缘等级: B级 F级
环境温度: -30℃ ~ 60℃

应用范围:

6D-800 Δ380V/50Hz 0~240Pa (20Pa-19000m³/h)
6D-800 Y220V/50Hz 0~240Pa (20Pa-14800m³/h)



			VOLTAGE 额定电压 ▽	FREQUENCY 频率 Hz
JD-YWF-6D800-S-180/75-G	/	JD-YWF-6D-800-S-180/75-B	Δ 380 Y 380	50 50

CURRENT 额定电流 A	INPUT 输入功率 W	SPEED 额定转速 r/min	AIR VOLUME 额定风量 m³/h	CAPACITANCE 电容 μF	NOISE 噪音 dBA	NET WEIGHT 净重 kg	LICENSE 证书	NO. ON THE CURVE
2.85	1200	920	20038	/	82	35	CCC CE	①
1.60	930	770	16082	/	82	35	CCC CE	②

* all model could be customized on voltage or any other requirements to fit your need
* [http:// www.jingdafan.com](http://www.jingdafan.com)

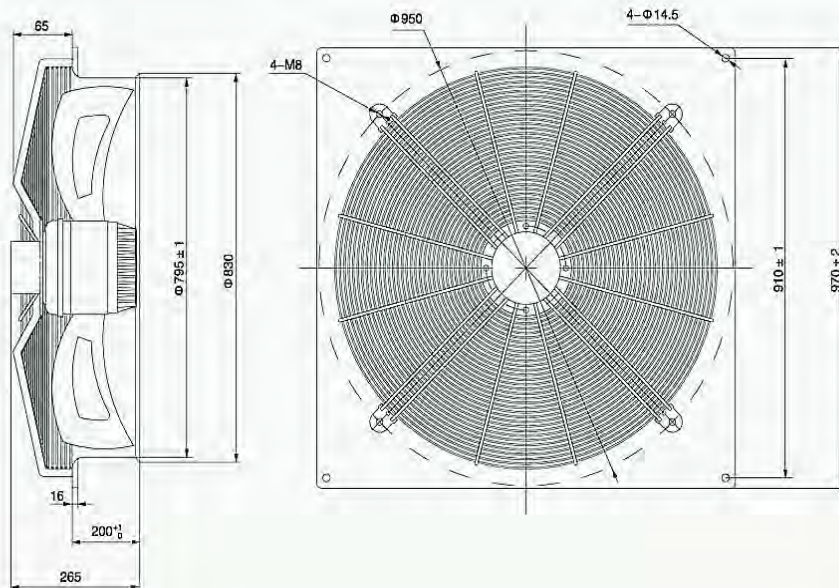
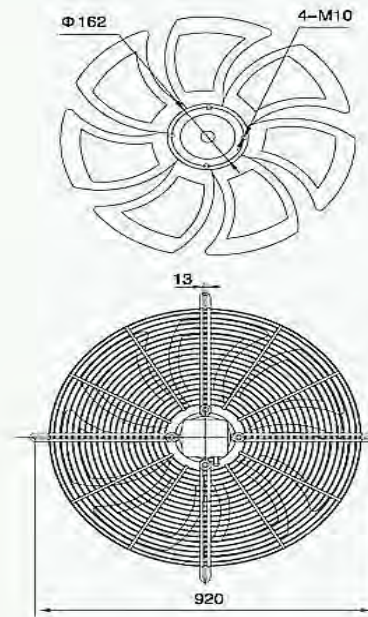
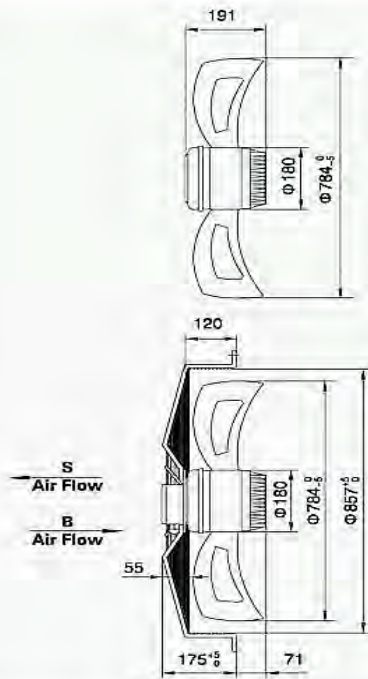
Ø 800

JING DA FAN

外转子轴流风机
Axial fans



UNITS:mm



- * all model could be customized on voltage or any other requirements to fit your need
- * [http:// www.jingdafan.com](http://www.jingdafan.com)