

外转子轴流风机 Axial fans



风机型号说明 Illustration of fan motor model

YWF 4 E - 350 S - P 102 / 34 - ★
① ②③ ④ ⑤ ⑥ ⑦ ⑧ ⑨

- ① 交流感应异步外转子风扇电动机
AC Induction asynchronous external rotor fan motor
- ② 电机极数
Motor poles
- ③ E-单相电容运转, D-三相异步运转
E-Single phase capacitor operation, D-Three phase asynchronous operation
- ④ 风叶直径
The diameter of the fan blade
- ⑤ 风向: S-吸风, B-吹风
Air direction: S-Sucking, B-Blowing
- ⑥ 此处空白表示标准型风机, "P" 表示通过ErP能效标准
The blank here means the standard fan motors, "P" means it passes ErP
- ⑦ 转子直径
The diameter of the rotor
- ⑧ 铁芯叠厚
The thickness of laminated core
- ⑨ 风机特征:
G-网罩, B-方框, T-圆筒, R-圆框, E-IP54, J-冷风机专用
Characteristics of the fan motor:
G-Grid, B-Square Frame, T-Cylinder, R-Round Frame, E-Insulation class IP54, J-Special for air cooler

● 能效数据说明 (符合ErP指令)

测量类别: A
能效类别: 静压
功率范围 (kW): $0.125 \leq P \leq 10$
能效指标计算: $\eta = 2.74 \times \ln(P) - 6.33 + 36$

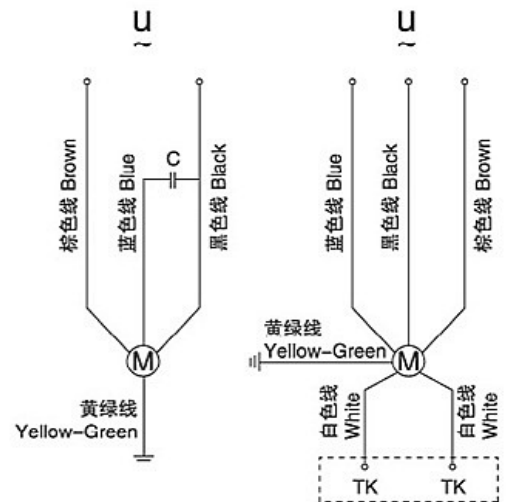
● Energy efficiency data according to ErP directive

Measurement category: A
Efficiency category: Static
Power range (Pin kW): $0.125 \leq P \leq 10$
Target energy efficiency: $\eta = 2.74 \times \ln(P) - 6.33 + 36$

接线图 Wiring diagram

单相 Single phase

三相 Three phase



* all model could be customized on voltage or any other requirements to fit your need
* [http:// www.jingdafan.com](http://www.jingdafan.com)

Ø 630

JING DA FAN

外转子轴流风机 Axial fans

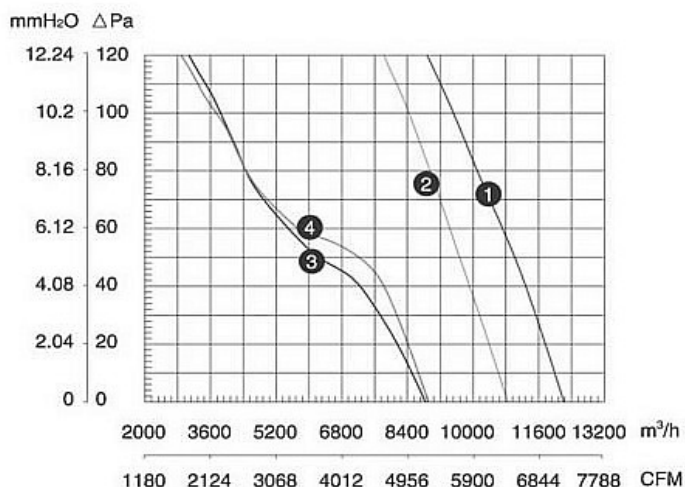


使用说明:

工作方式: S1
绝缘等级: B级 F级
环境温度: -30℃ ~ 60℃

应用范围:

4D-630 380V/50Hz 0~120Pa (20Pa~11750m³/h)
4E-630 220V/50Hz 0~120Pa (20Pa~10390m³/h)
6D-630 380V/50Hz 0~120Pa (20Pa~8250m³/h)
6E-630 220V/50Hz 0~120Pa (20Pa~8550m³/h)



| | | | VOLTAGE 额定电压 V | FREQUENCY 频率 Hz |
|--------------------------|--------------------------|--------------------------|----------------------|-----------------------|
| JD-YWF-4D-630-S-137/70-G | JD-YWF-4D-630-S-137/70-T | JD-YWF-4D-630-S-137/70-B | 380 | 50 |
| JD-YWF-4E-630-S-137/70-G | JD-YWF-4E-630-S-137/70-T | JD-YWF-4E-630-S-137/70-B | 220 | 50 |
| JD-YWF-6D-630-S-137/70-G | JD-YWF-6D-630-S-137/70-T | JD-YWF-6D-630-S-137/70-B | 380 | 50 |
| JD-YWF-6E-630-S-137/70-G | JD-YWF-6E-630-S-137/70-T | JD-YWF-6E-630-S-137/70-B | 220 | 50 |

| CURRENT 额定电流 A | INPUT 输入功率 W | SPEED 额定转速 r/min | AIR VOLUME 额定风量 m³/h | CAPACITANCE 电容 μF | NOISE 噪音 dBA | NET WEIGHT 净重 kg | LICENSE 证书 | NO. ON THE CURVE |
|----------------------|--------------------|------------------------|----------------------------|-------------------------|--------------------|------------------------|---------------|------------------|
| 1.6 | 800 | 1320 | 12200 | / | 78 | 15 | CCC CE | ① |
| 3.5 | 750 | 1360 | 10860 | 16 | 78 | 15 | CCC CE | ② |
| 1.45 | 550 | 900 | 8830 | / | 75 | 15 | CCC CE | ③ |
| 2.55 | 520 | 900 | 9168 | 12 | 75 | 15 | CCC CE | ④ |

* all model could be customized on voltage or any other requirements to fit your need
* [http:// www.jingdafan.com](http://www.jingdafan.com)

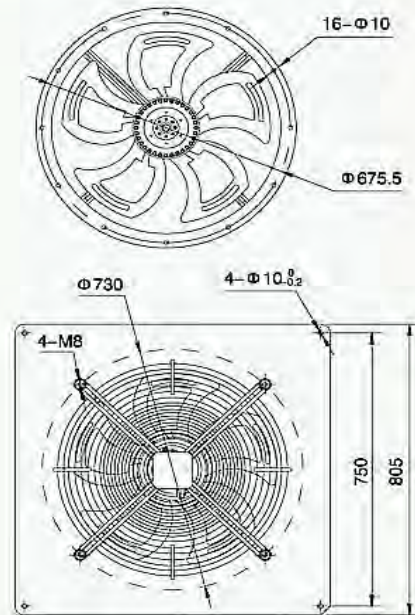
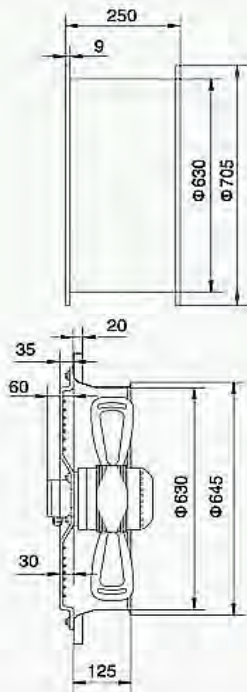
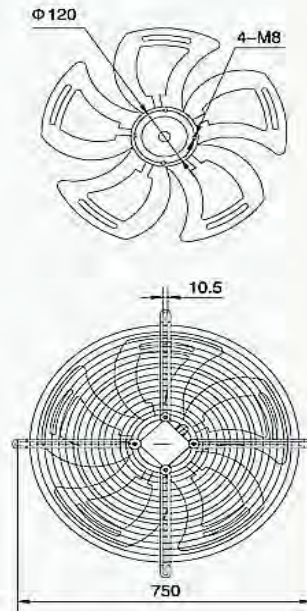
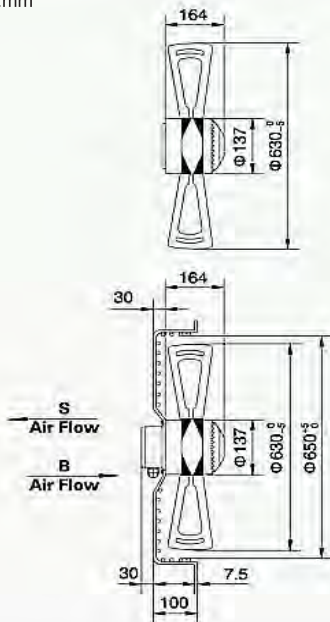
Ø 630

JING DA FAN

外转子轴流风机
Axial fans



UNITS:mm



- * all model could be customized on voltage or any other requirements to fit your need
- * [http:// www.jingdafan.com](http://www.jingdafan.com)